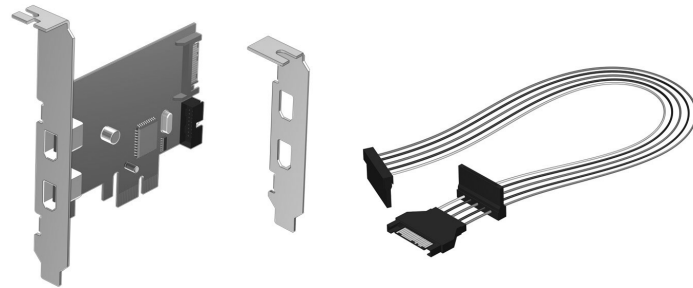




HP FireWire®/IEEE 1394a PCIe x1 Card Installation Guide



© Copyright 2010, 2012 Hewlett-Packard Development Company, L.P. The information contained herein is subject to change without notice. The only warranties for HP products and services are set forth in the express warranty statements accompanying such products and services. Nothing herein should be construed as constituting an additional warranty. HP shall not be liable for technical or editorial errors or omissions contained herein.
Printed in
Second Edition: October 2012



* 6 3 1 5 1 8 - B 2 2 *

Kit Contents

- HP FireWire®/IEEE 1394a PCIe x1 card (with full-height expansion bracket attached)
- SATA to SATA split power extension cable
- Low profile expansion bracket to replace the full-height expansion bracket required on some computer models

Features

The HP FireWire®/IEEE 1394a PCIe x1 card includes the following features:

- 1394a interface with data transfer rates of 400, 200, and 100 Mbps.
- 1394a compliant physical layer with 2 external 1394a 6-pin ports and 1 internal port with pin headers for connecting a third external 1394a port.
- Fits conveniently in a half-height or full height expansion slot in the computer with convenient half-height bracket as well as the default full-height bracket.
- Power to external devices is individually current limited to 1.5A per port.

To determine the compatibility of this product with your HP computer, see QuickSpecs online at <http://www.hp.com/go/productbulletin>.

Installing the 1394a PCIe x1 Card

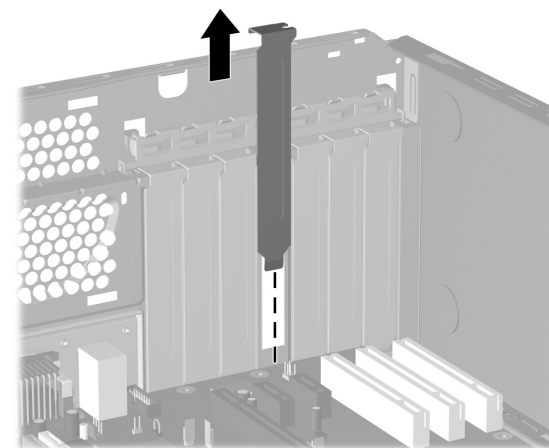
1. Turn off power to the system and disconnect the power cord from the power outlet.

WARNING! To avoid the risk of serious injury, ensure that the power cord is unplugged from the electrical outlet at the wall before installing the PCIe x1 card. Failure to do so may expose you to the risk of electric shock.

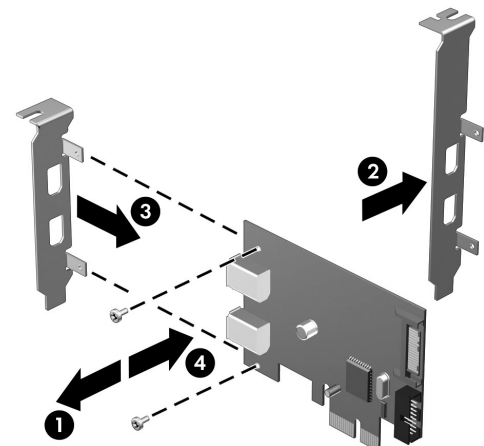
CAUTION: To avoid the risk of damage to the system, ensure that the power cord is unplugged from the electrical outlet at the wall before installing the PCIe x1 card.

NOTE: Refer to the documentation included with your computer for detailed information on installing an expansion card

2. Remove the computer cover or access panel.
3. Remove the appropriate expansion slot cover from the rear of the computer.



4. A full-height expansion cover bracket is attached to the 1394a PCIe card. If your computer requires a half-height bracket, remove two screws that secure the full-height bracket to the card (1), remove the bracket from the card (2), place the low-profile bracket on the card (3), and secure the bracket with the two screws (4).



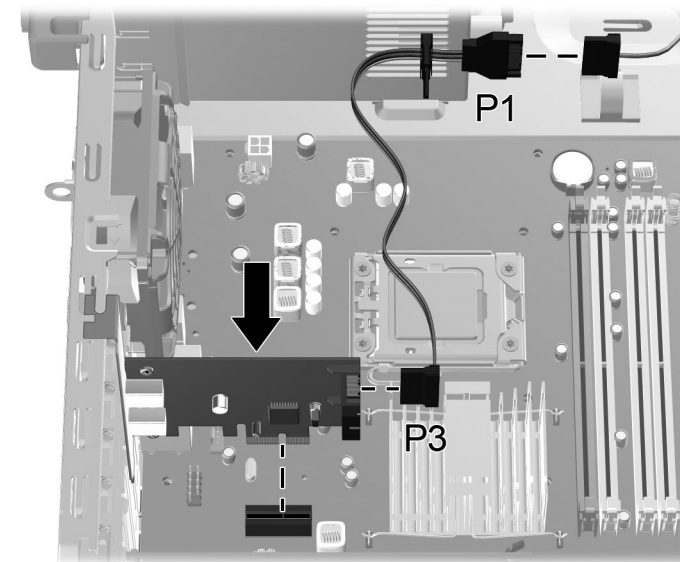
5. Insert the 1394a PCIe x1 card into an available PCIe 2.0 expansion slot in the computer.

NOTE: The 1394a PCIe x1 card has a PCIe 2.0 5 GHz interface. For optimal performance, install this card in a PCIe 2.0 slot. Installing it in a PCIe 1.0 slot could cause the card to run at a reduced 2.5 GHz throughput. Refer to the documentation included with your computer for detailed instructions on installing an expansion card.

6. Look for an available SATA Power connector inside the chassis. If one is available, do the following:

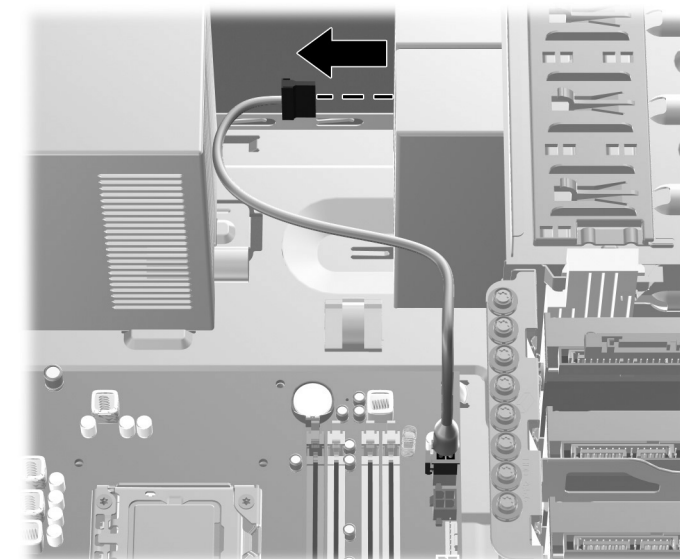
NOTE: The SATA power cable is only required for bus-powered devices that consume over 1 amp of power.

- Using the SATA power cable provided, plug the far end of the cable labeled **P3** into the 1394a PCIe card. Plug the other end of the cable labeled **P1** into the available SATA power cable.

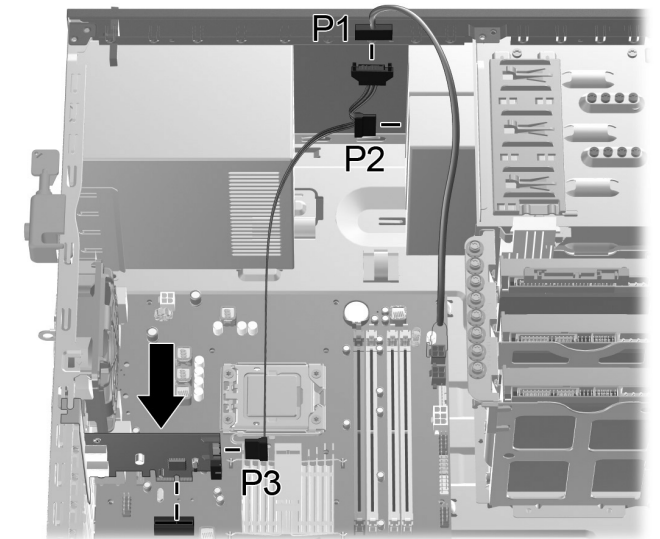


If there is no available SATA power connector inside the chassis, do the following:

- Disconnect the SATA power cable from the rear of any available SATA drive, such as a hard drive or optical drive.



- Using the SATA power cable provided in the kit, plug the far end of the cable labeled **P3** into the 1394a PCIe card. Plug the middle connector on the cable labeled **P2** into the rear of the drive that was disconnected in the previous step. Plug the other end of the cable labeled **P1** into the SATA power cable that was disconnected from the drive.



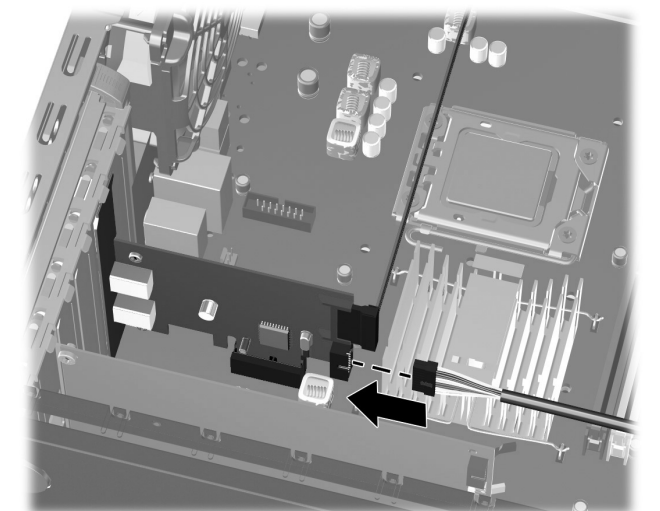
7. Replace the computer cover or access panel.
8. Plug in and power on the computer.
9. After powering on the computer, make sure the card is being recognized by the system (a popup message will display in the system tray on the Windows taskbar).
10. Connect your 1394a device(s) to the 1394a port(s) on the 1394a PCIe card. Refer to the device manufacturer's documentation for specific instructions on connecting a device.

Connecting an External 1394a Port

The 1394a PCIe card is equipped with a 1394a connector on the rear of the card that can be used to connect an external 1394a port.

CAUTION: If your computer supports a 1394a external port through the system board, do not disconnect the external port cable from the system board. Doing this causes the system to fail at boot.

NOTE: For computers that do not support a 1394a external port through the system board, connect the external port cable into the 1394a connector on the rear of the card.



Federal Communications Commission Notice

This equipment has been tested and found to comply with the limits for a Class B digital device, pursuant to Part 15 of the FCC Rules. These limits are designed to provide reasonable protection against harmful interference in a residential installation. This equipment generates, uses, and can radiate radio frequency energy and, if not installed and used in accordance with the instructions, may cause harmful interference to radio communications. However, there is no guarantee that interference will not occur in a particular installation. If this equipment does cause harmful interference to radio or television reception, which can be determined by turning the equipment off and on, the user is encouraged to try to correct the interference by one or more of the following measures:

- Reorient or relocate the receiving antenna.
- Increase the separation between the equipment and the receiver.
- Connect the equipment into an outlet on a circuit different from that to which the receiver is connected.
- Consult the dealer or an experienced radio or television technician for help.

Modifications

The FCC requires the user to be notified that any changes or modifications made to this device that are not expressly approved by Hewlett-Packard Company may void the user's authority to operate the equipment.

Cables

Connections to this device must be made with shielded cables with metallic RFI/EMI connector hoods in order to maintain compliance with FCC Rules and Regulations.

Declaration of Conformity for Products Marked with the FCC Logo (United States Only)

This device complies with Part 15 of the FCC Rules. Operation is subject to the following two conditions:

1. This device may not cause harmful interference.
2. This device must accept any interference received, including interference that may cause undesired operation.

For questions regarding the product, contact:

Hewlett Packard Company
P. O. Box 692000, Mail Stop 530113
Houston, Texas 77269-2000
Or, call 1-800-HP-INVENT (1-800 474-6836)

For questions regarding this FCC declaration, contact:

Hewlett Packard Company
P. O. Box 692000, Mail Stop 510101
Houston, Texas 77269-2000
Or, call (281) 514-3333

To identify this product, refer to the Part, Series, or Model number found on the product.

Canadian Notice

This Class B digital apparatus complies with Canadian ICES-003.

Avis Canadien

Cet appareil numérique de la classe B est conforme à la norme NMB-003 du Canada.

European Union Regulatory Notice



Products bearing the CE marking comply with the following EU Directives:

- Low Voltage Directive 2006/95/EC
- EMC Directive 2004/108/EC
- Ecodesign Directive 2009/125/EC, where applicable

CE compliance of this product is valid only if powered with the correct CE-marked AC adapter provided by HP.

Compliance with these directives implies conformity to applicable harmonized European standards (European Norms) that are listed in the EU Declaration of Conformity issued by HP for this product or product family and available (in English only) either within the product documentation or at the following web site: www.hp.eu/certificates (type the product number in the search field).

The compliance is indicated by one of the following conformity markings placed on the product:

	For non-telecommunications products and for EU harmonized telecommunications products, such as Bluetooth® within power class below 10mW.
	For EU non-harmonized telecommunications products (If applicable, a 4-digit notified body number is inserted between CE and !).

Please refer to the regulatory label provided on the product.

The point of contact for regulatory matters is Hewlett-Packard GmbH, Dept./MS: HQ-TRE, Herrenberger Strasse 140, 71034 Boeblingen, GERMANY.

German Ergonomics Notice

HP products which bear the “GS” approval mark, when forming part of a system comprising HP brand computers, keyboards and monitors that bear the “GS” approval mark, meet the applicable ergonomic requirements. The installation guides included with the products provide configuration information.

Japanese Notice

この装置は、クラスB情報技術装置です。この装置は、家庭環境で使用することを目的としていますが、この装置がラジオやテレビジョン受信機に近接して使用されると、受信障害を引き起こすことがあります。取扱説明書に従って正しい取り扱いをして下さい。

VCCI-B

Korean Notice

B급 기기 (가정용 방송통신기기)	이 기기는 가정용(B급)으로 전자파적합등록을 한 기기로서 주로 가정에서 사용하는 것을 목적으로 하며, 모든 지역에서 사용할 수 있습니다.
-----------------------	--

Online Technical Support

For the online access to technical support information, self-solve tools, online assistance, community forums or IT experts, broad multivendor knowledge base, monitoring and diagnostic tools, go to <http://www.hp.com/support>.